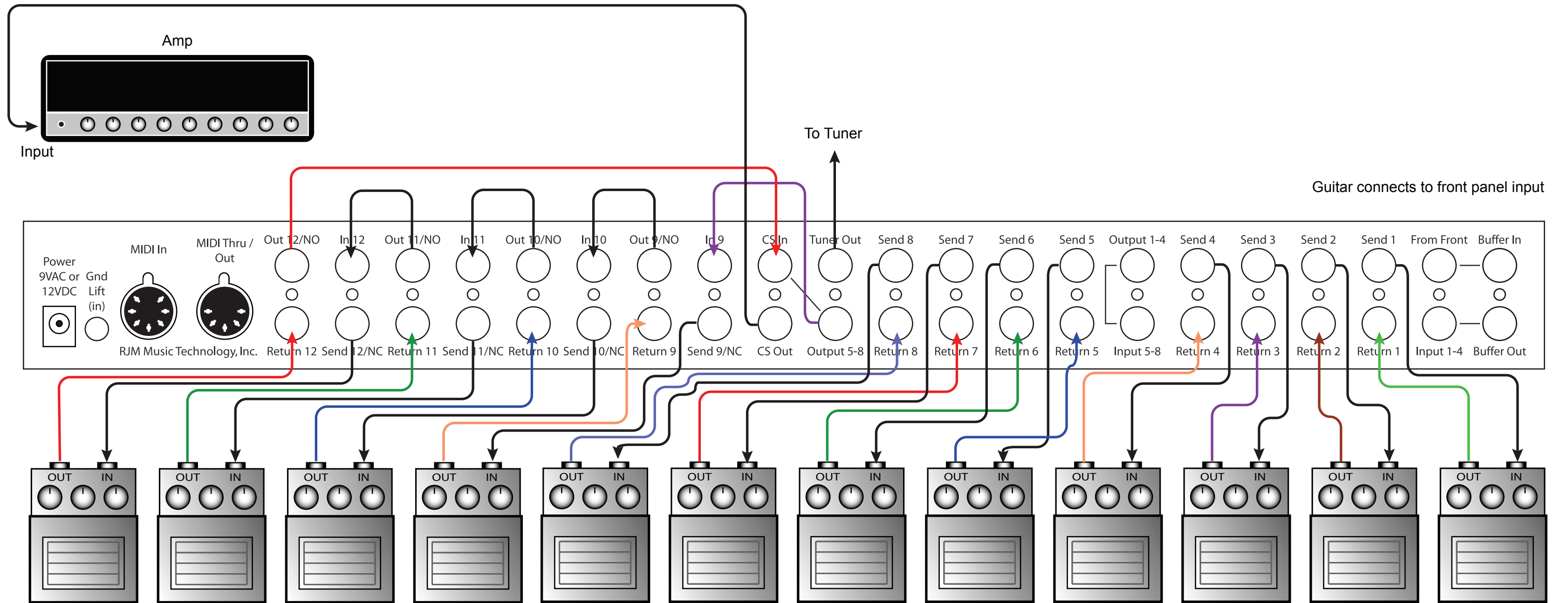




Effect Gizmo Wiring Diagram



Effect Gizmo Wiring Diagram

12 pedals, 1 amp, tuner

The guitar signal passes from the front panel jack, through the buffer, then through the all 12 audio loops, and then through the Click Stopper circuit before going to the amp.