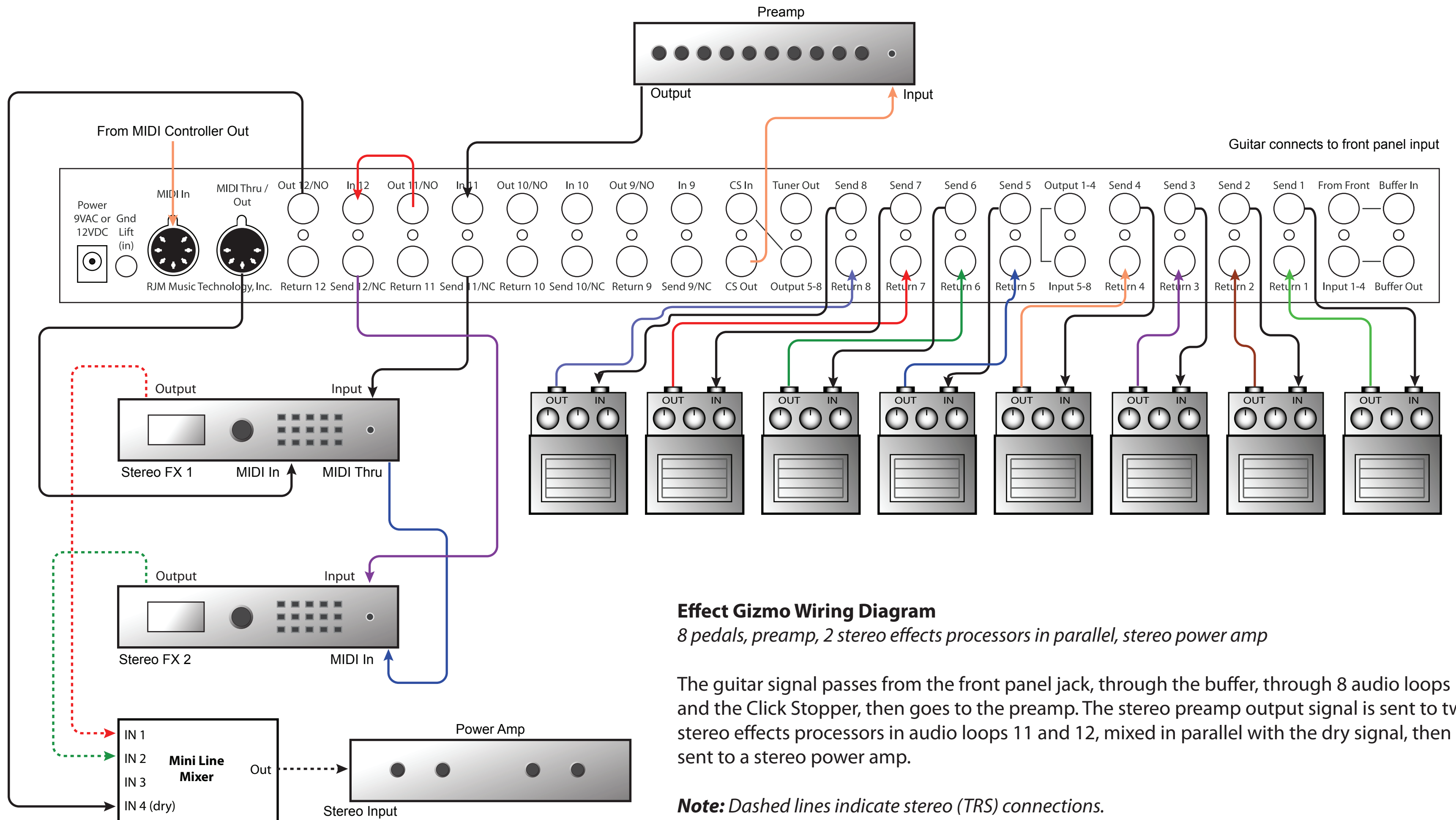




# Effect Gizmo Wiring Diagram



## Effect Gizmo Wiring Diagram

8 pedals, preamp, 2 stereo effects processors in parallel, stereo power amp

The guitar signal passes from the front panel jack, through the buffer, through 8 audio loops and the Click Stopper, then goes to the preamp. The stereo preamp output signal is sent to two stereo effects processors in audio loops 11 and 12, mixed in parallel with the dry signal, then sent to a stereo power amp.

**Note:** Dashed lines indicate stereo (TRS) connections.