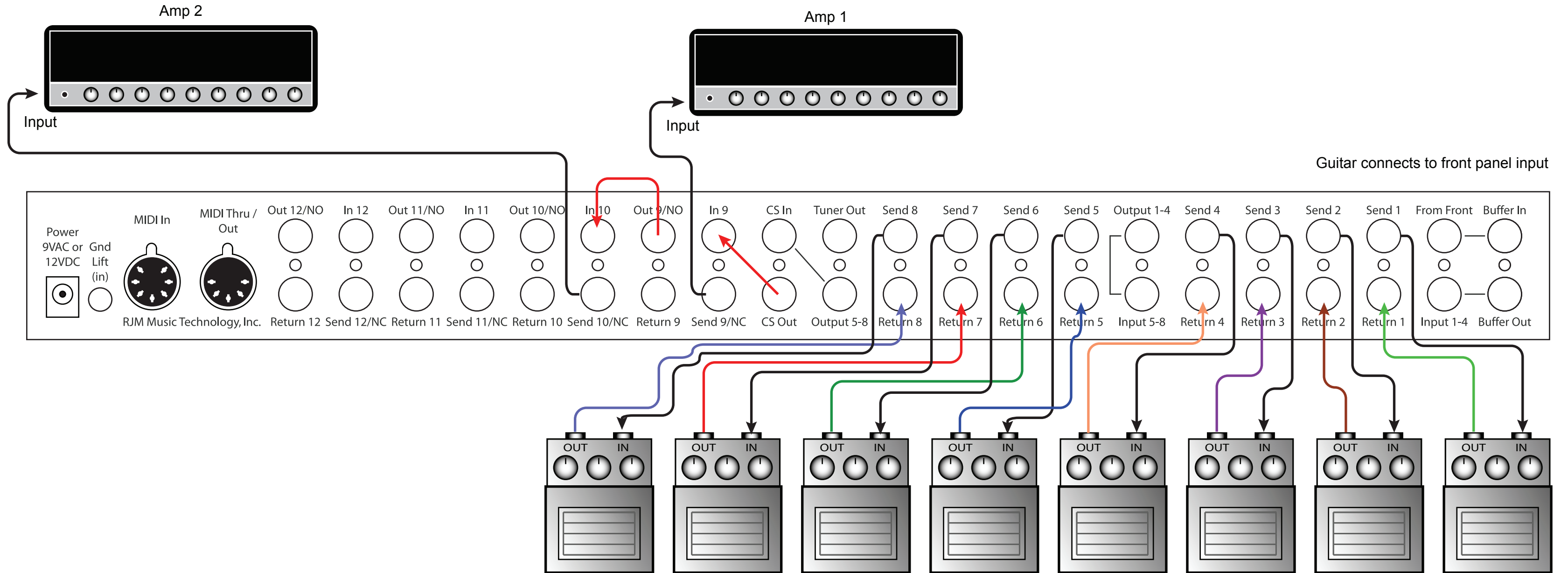




Effect Gizmo Wiring Diagram



Effect Gizmo Wiring Diagram

8 pedals, 2 amps

The guitar signal passes from the front panel jack, through the buffer, through 8 audio loops and the Click Stopper. Loops 9 and 10 are used to split the signal to two amps. Using Loops 9 and 10, you can turn on either amp, both amps, or neither (mute).