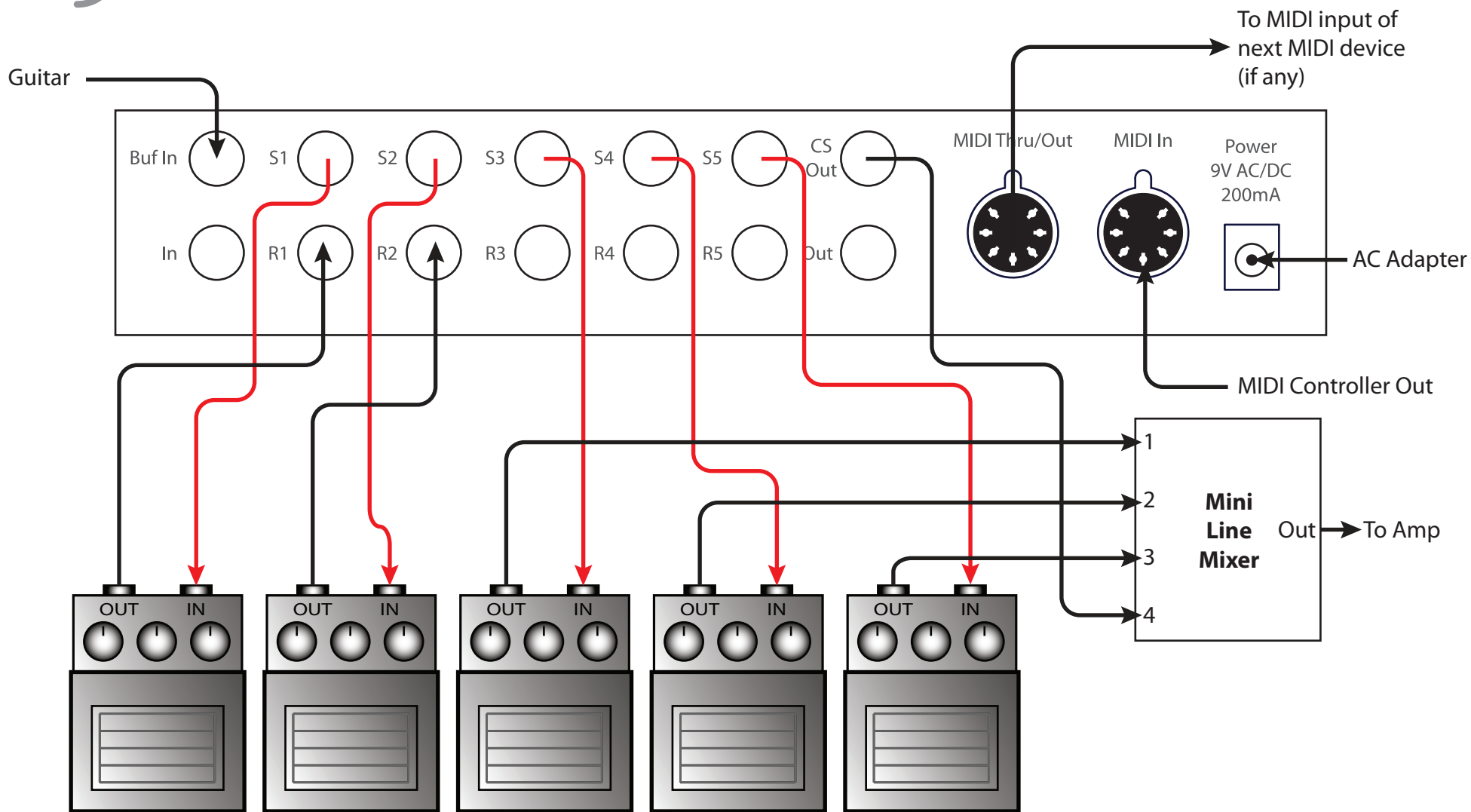




Mini Effect Gizmo Wiring Diagram



2 pedals in series, 3 in parallel

Typically, the series pedals are overdrive, compression, etc. and the parallel pedals are delay, chorus, reverb, etc.

This allows you to run multiple effects without muddying the signal from placing too many effects in series.

This can be placed in front of an amp, or in an effects loop.