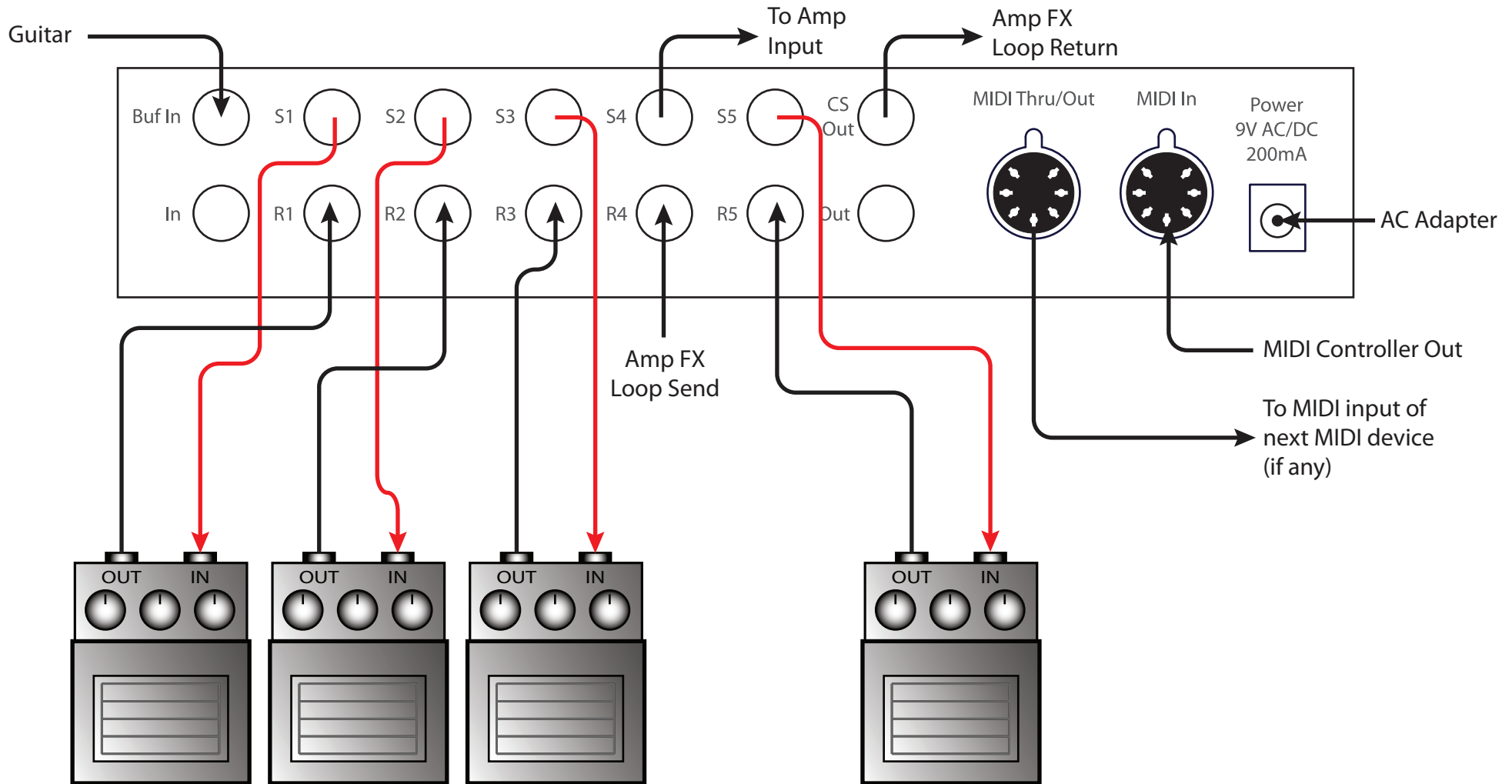




# Mini Effect Gizmo Wiring Diagram



## 3 / 1 Split

The first three pedals are connected to the amp's input  
The last pedal is placed in the amp's effects loop  
Loop 4 (the split point) must be kept on at all times