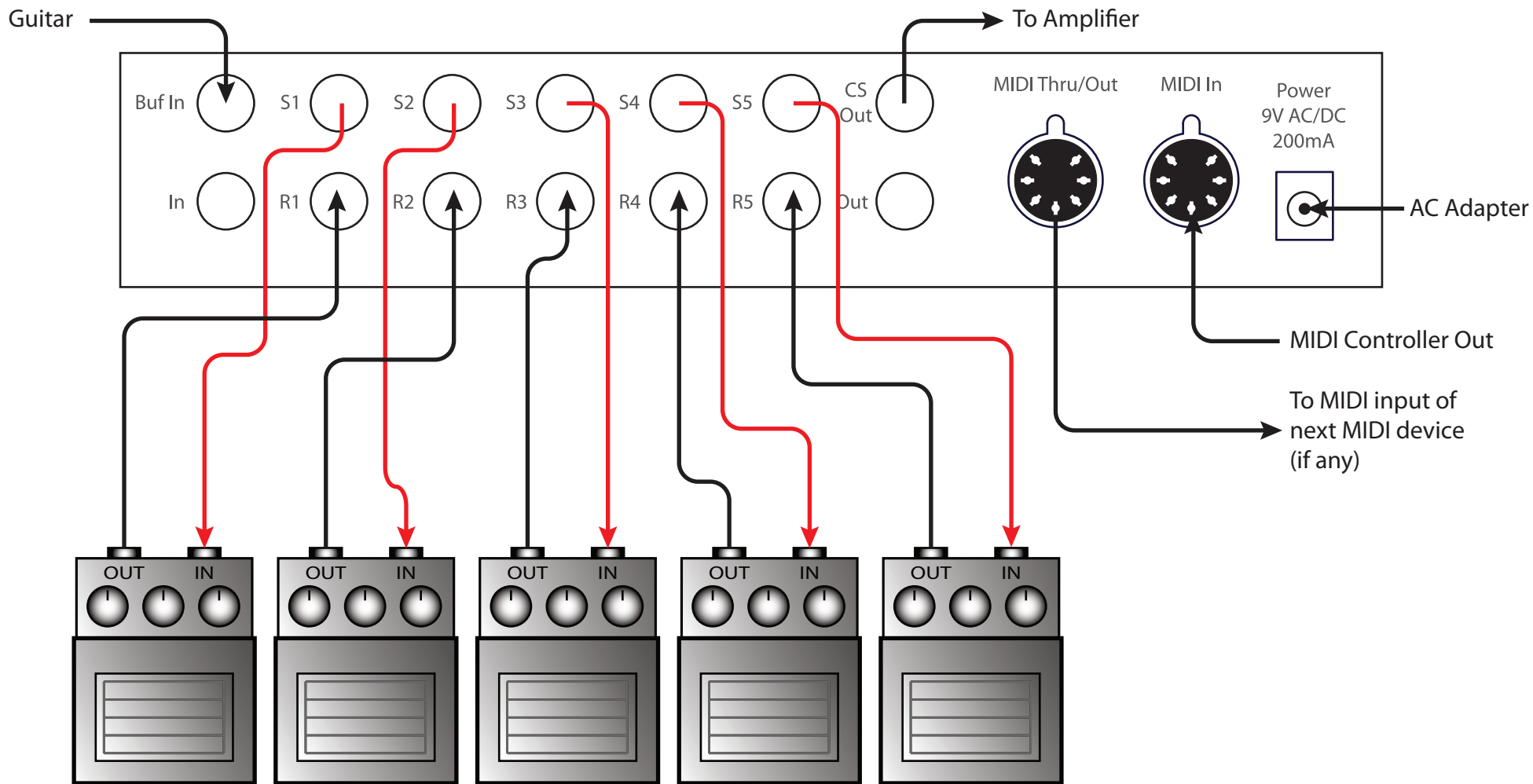




Mini Effect Gizmo Wiring Diagram



Standard 5 pedal configuration

Pedals are wired in series and connected to the amp's input