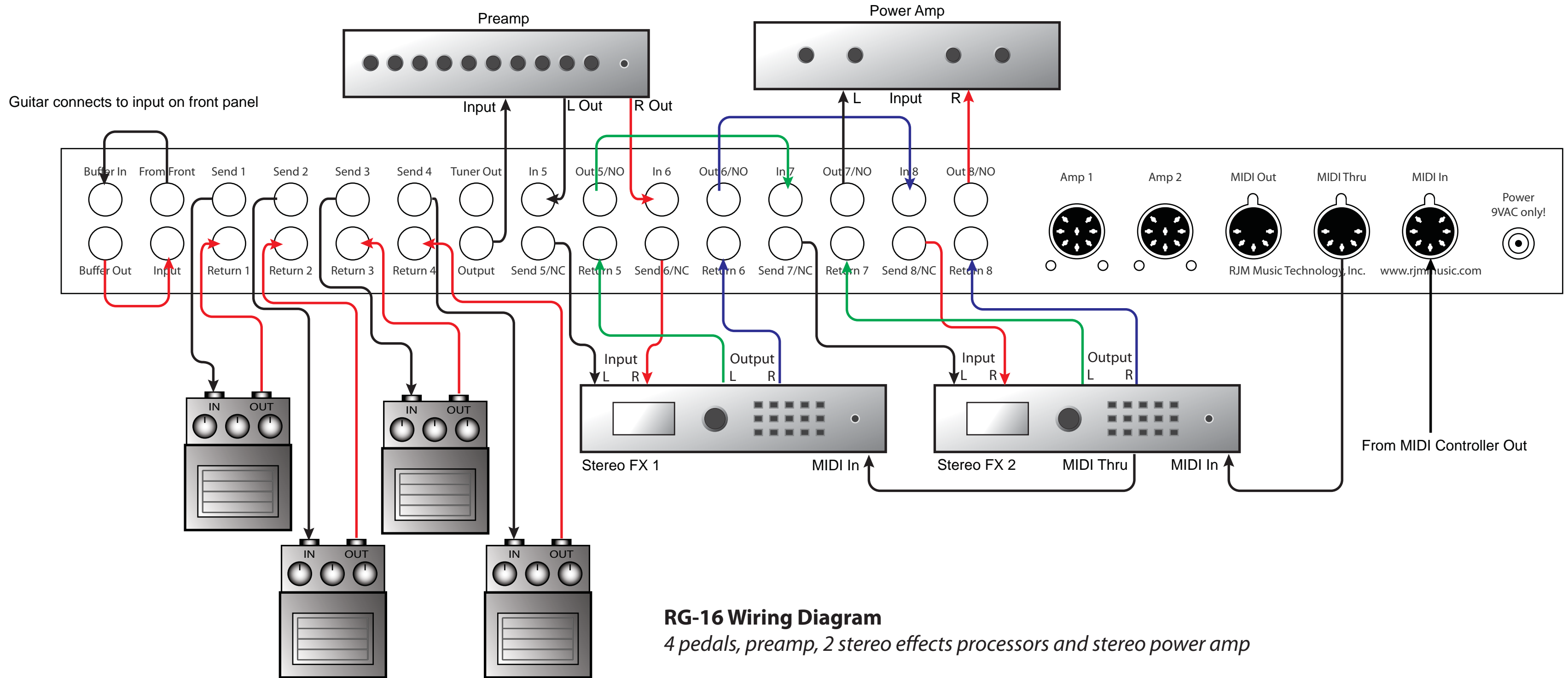




RG-16 Wiring Diagram



RG-16 Wiring Diagram
4 pedals, preamp, 2 stereo effects processors and stereo power amp