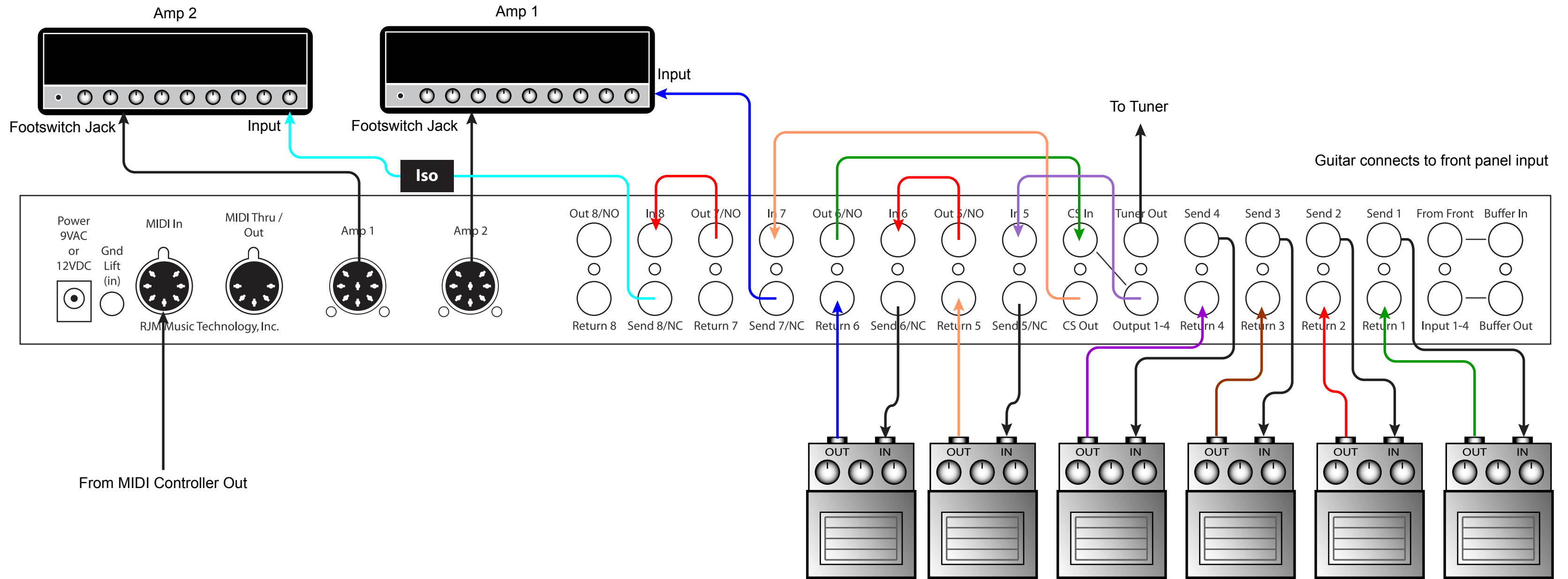




Rack Gizmo Wiring Diagram



Rack Gizmo Wiring Diagram

6 pedals in front of two amps

The guitar signal passes from the front panel jack, through the buffer, then through the first 6 audio loops, through the Click Stopper circuit.

The last two loops are used to select between two amps. You can turn on either amp, both amps, or none (for silent tuning). Loop 7 enables amp 1, Loop 8 enables amp 2. You may need to use an isolation transformer on the second amp (marked Iso on the diagram), but try the configuration without it first.

The Rack Gizmo controls channel switching on both amps using the function switching jacks.